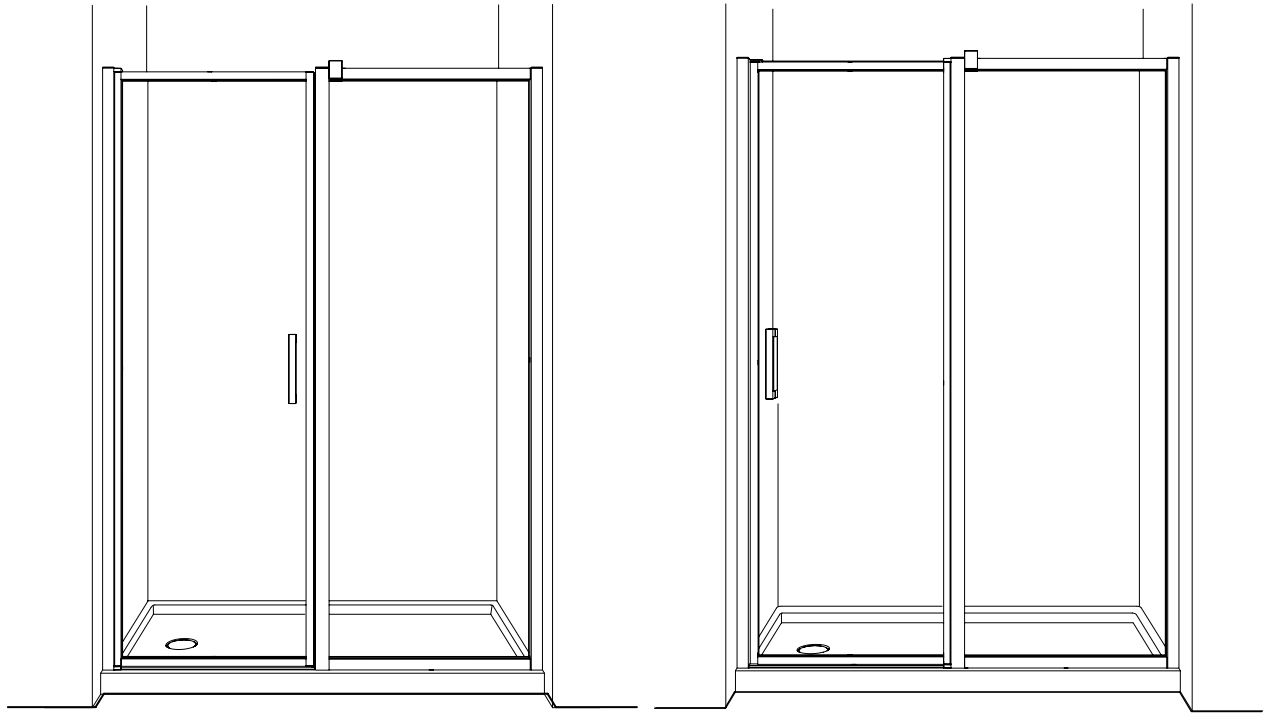
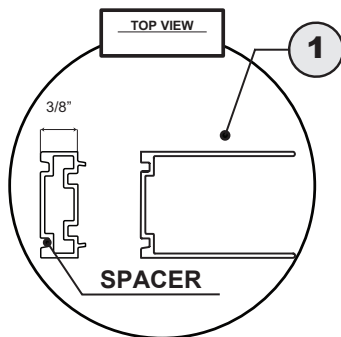


## CARO IN-LINE POSSIBLE CONFIGURATIONS

\*



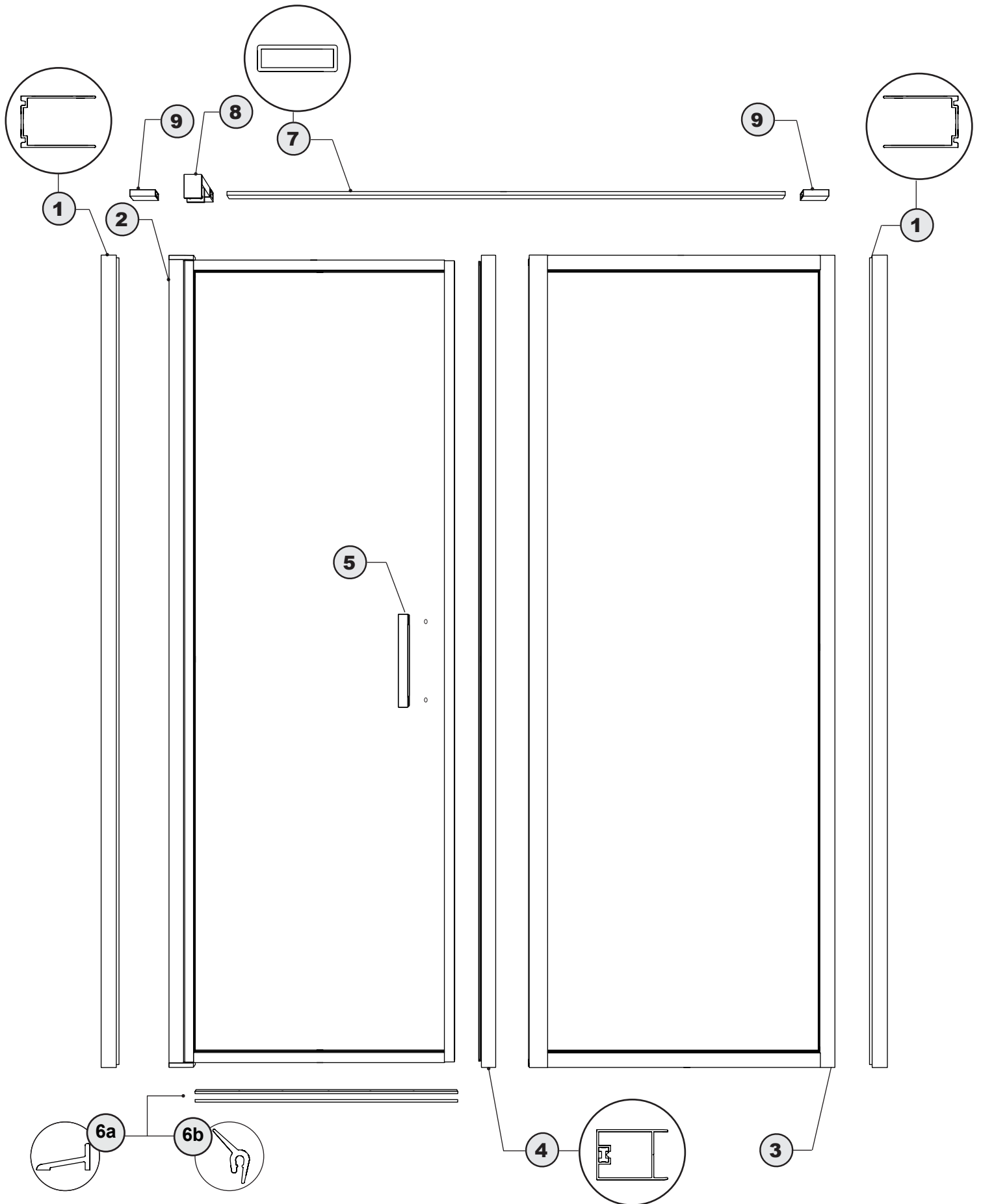
Reversible



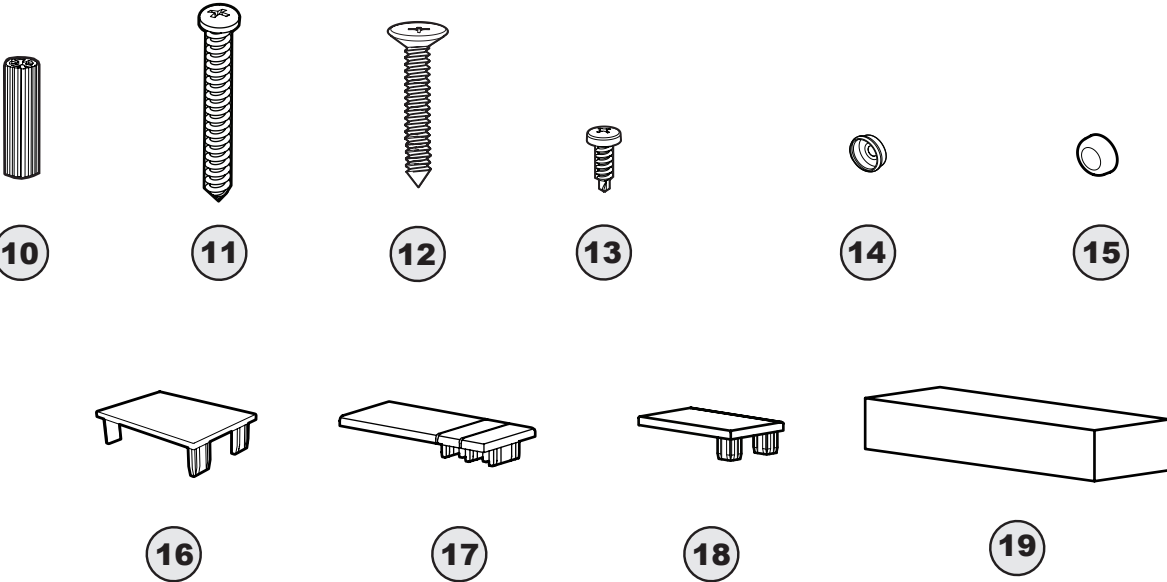
AVAILABLE SPACER  
INSTALLS BEHIND WALL  
JAMB

\*This configuration is illustrated in this manual.

**CARO IN-LINE - PARTS AND HARDWARE LISTING**



**CARO IN-LINE - PARTS AND HARDWARE LISTING**



ITEM	FLEURCO CODE	PARTS AND HARDWARE	QTY
1	ELE-WJAMB-33-79	WALL JAMB	2
2		DOOR PANEL	1
3		FIXED PANEL	1
4	LAP-MAGEXP-33-79	MAGNETIC EXPANDER	1
5		HANDLE	1
6A	PLAT-THRESH-33-72	THRESHOLD	1
6B	COEX-LA415-40-33	THRESHOLD GASKET	1
7	LAVBAR-33-70	SUPPORT BAR	1
8	LAV-BRACKET-S-33	GLASS MOUNT BRACKET	1
9	LAVBRACKET-33	WALL MOUNT BRACKET	2
10		WALL PLUG	8
11		PAN HEAD SCREW	6
12		FLAT HEAD SCREW	2
13		PAN SELF-DRILLING SCREW	9
14		BACK SCREW CAP	15
15		SCREW CAP	15
16	LA-RP-CAP-33-79	FRAME CAP	2
	LA-RP-CAP-33		
17	ELE-WJCAP-33	WALL JAMB CAP	2
18	LAP-F-CAP-33	FIXED PANEL CAP	1
19		SHIM	1

LEGEND  
 XX = FINISH (11, 25, 33)  
 \*\* = LENGTH (54, 60, 79, 86 ETC)  
 ++ = CODE (AC, ABN)