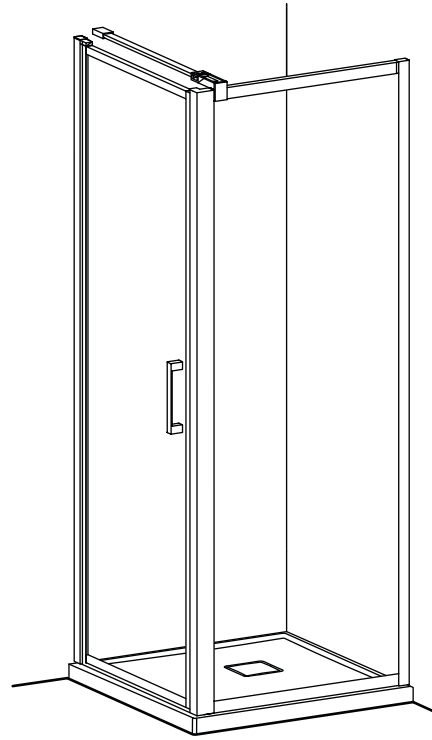
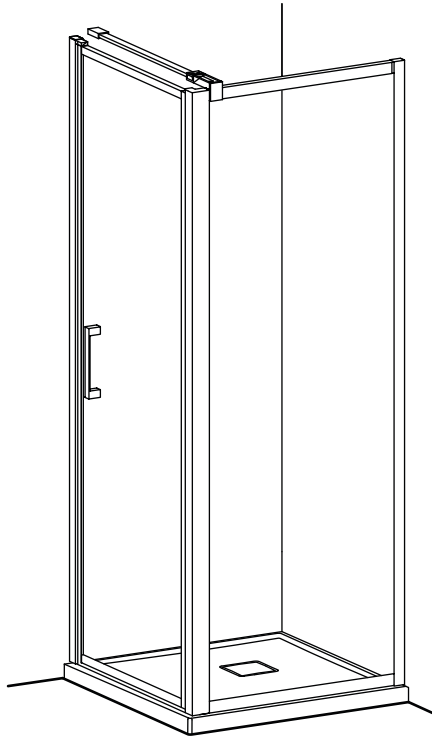
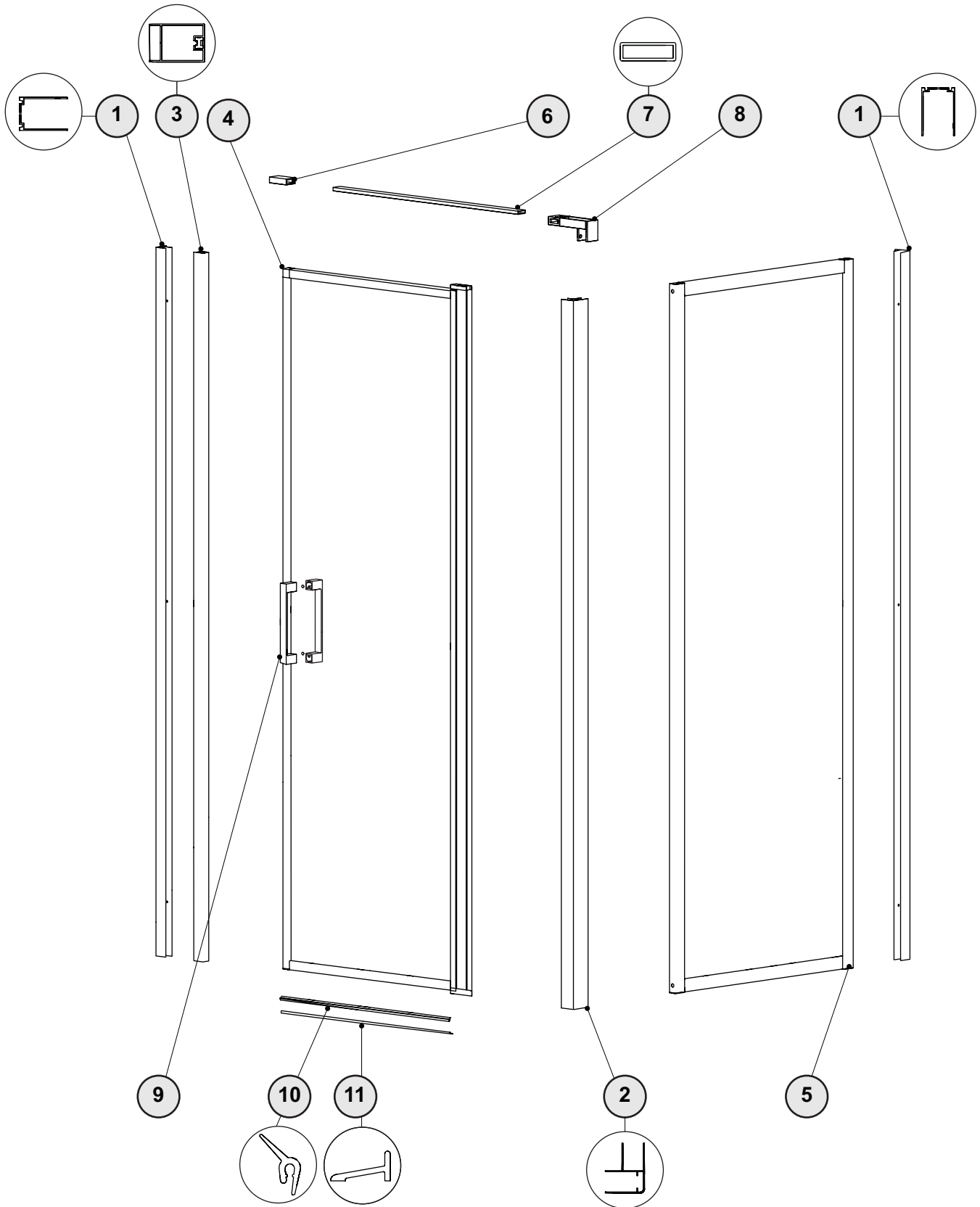
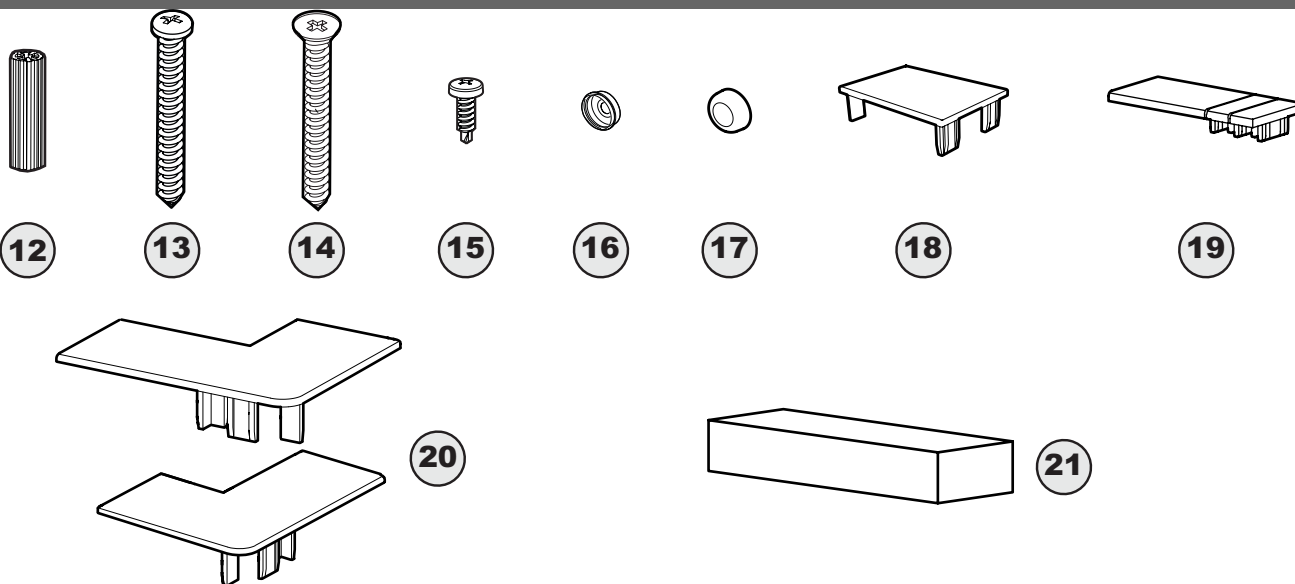


POSSIBLE CONFIGURATIONS







| ITEM | FLEURCO CODE       | PARTS AND HARDWARE      | QTY   |
|------|--------------------|-------------------------|-------|
| 1    | ELE-WJAMB-XX-79    | WALL JAMB               | 2     |
| 2    | LA-CJAMB-XX-79     | CORNER JAMB             | 1     |
| 3    | LAP-MAGEXP-XX-79   | MAGNETIC EXPANDER       | 1     |
| 4    |                    | DOOR PANEL ASSEMBLY     | 1     |
| 5    |                    | RETURN PANEL            | 1     |
| 6    | LAVBRACKET-33      | WALL MOUNT BRACKET      | 1     |
|      | PJ-BRACKET-XX      |                         |       |
| 7    | LAVBAR-XX-70       | SUPPORT BAR             | 1     |
| 8    | LAV-BRACKET-S-XX   | GLASS MOUNT BRACKET     | 1     |
| 9    |                    | HANDLE                  | 1     |
| 10   | COEX-LA415-40-33   | THRESHOLD GASKET        | 1     |
|      | COEX-LA415-40      |                         |       |
| 11   | PLAT-THRESH-33-72  | THRESHOLD               | 1     |
|      | ++15405            |                         |       |
| 12   |                    | WALL PLUG               | 6     |
| 13   |                    | PAN HEAD SCREW          | 6     |
| 14   |                    | FLAT HEAD SCREW         | 1     |
| 15   |                    | PAN SELF DRILLING SCREW | 12    |
| 16   |                    | BACK SCREW CAP          | 18    |
| 17   |                    | SCREW CAP               | 18    |
| 18   | LA-RP-CAP-33-79    | FRAME CAP               | 1     |
|      | LA-RP-CAP-XX       |                         |       |
| 19   | ELE-WJCAP-XX       | WALL JAMB CAP           | 2     |
| 20   | LA-CJAMB-CAP-33-79 | CORNER CAP              | 1 SET |
|      | LA-CJAMB-CAP-XX    |                         |       |
| 21   |                    | SHIM                    | 1     |

LEGEND

XX = FINISH (11, 25, 33)

\*\* = LENGTH (54, 60, 79, 86 ETC)

++ = CODE (AC, ABN)