

IN-LINE DOOR AND PANEL WITH RETURN PANEL (TWO SIDED)

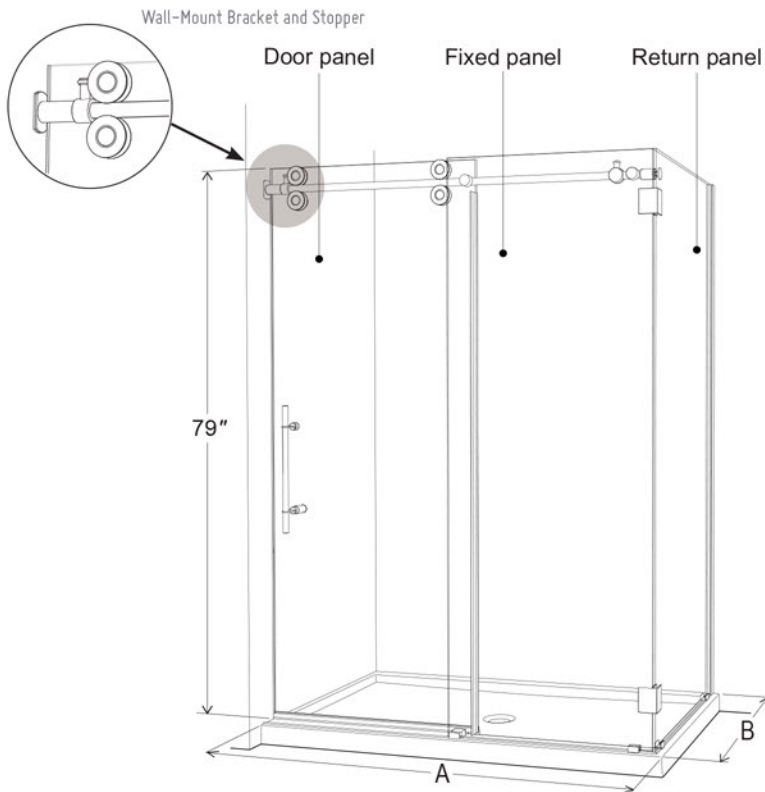
WR = Door Panel closes against Wall

OPENINGS AND GLASS DIMENSIONS • FLUSH-PULL HANDLE MODELS

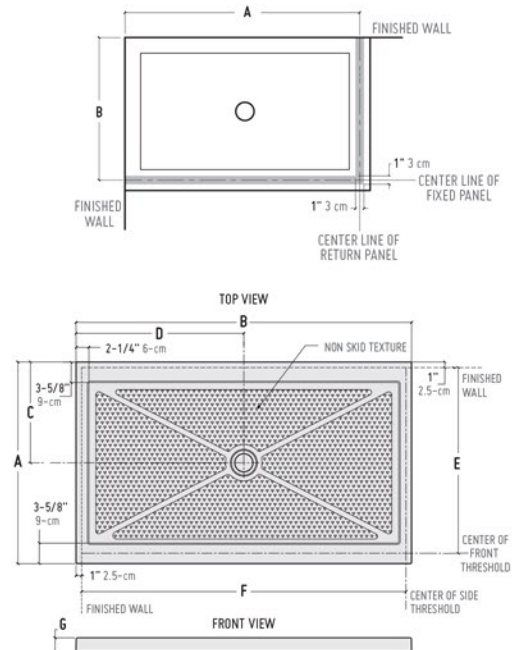
MODEL	A = FINISHED WALL TO CENTER OF RETURN PANEL	B = FINISHED WALL TO CENTER OF FRONT FIXED PANEL	APPROX. ENTRY OPENING	DOOR	FIXED PANEL (with corner clip)	RETURN PANEL (with corner clip)
Minimum clearances required for glass panels sitting on a base threshold: 1/2" from the center of the glass panel to BOTH the exterior and interior sides						
KTWR4536*-42**	45 1/4" to 47 1/4"	*33 7/8" to 34 1/2"	19 1/2" to 21 1/2"	23" 1/2 x 78 13/16"	25" x 79"	*32 7/8" x 79"
KTWR5036*-42**	50 1/4" to 52 1/4"	**39 1/2" to 40 1/8"	20 1/2" to 22 1/2"	24" 1/2 x 78 13/16"	29" x 79"	**38 1/2" x 79"

OPENINGS AND GLASS DIMENSIONS • STANDARD HANDLE MODELS

MODEL	A = FINISHED WALL TO CENTER OF RETURN PANEL	B = FINISHED WALL TO CENTER OF FRONT FIXED PANEL	APPROX. ENTRY OPENING	DOOR	FIXED PANEL (with corner clip)	RETURN PANEL (with corner clip)
Minimum clearances required for glass panels sitting on a base threshold: 1/2" from the center of the glass panel to BOTH the exterior and interior sides						
KTWR5536*-42**	55 1/4" to 57 1/4"	*33 7/8" to 34 1/2" **39 1/2" to 40 1/8"	21" to 23"	29 1/2" x 78 13/16"	29" x 79"	*32 7/8" x 79" **38 1/2" x 79"
KTWR5736*-42**	57 1/4" to 59 1/4"		23" to 25"	31 1/2" x 78 13/16"	29" x 79"	
KTWR6736*-42**	67 1/4" to 69 1/4"		27" to 29"	35 1/2" x 78 13/16"	35" x 79"	
KTWR6936*-42**	69 1/4" to 71 1/4"		29" to 31"	37 1/2" x 78 13/16"	35" x 79"	



Minimum clearances required for glass panels sitting on a base threshold: 1/2" from the center of the glass panel to BOTH the exterior and interior sides



* BASE DIMENSIONS

BASE	A	B	C	D	E	F	G
ABF3648	36" 91 cm	48" 122 cm	18" 46 cm	24" 61 cm	33 1/4" 84 cm	46" 117 cm	2 3/4" 7 cm
ABF3660	36" 91 cm	60" 152 cm	18" 46 cm	30" 76 cm	33 1/4" 84 cm	58" 147 cm	2 3/4" 7 cm
ABF3672	36" 91 cm	72" 183 cm	18" 46 cm	36" 91 cm	33 1/4" 84 cm	70" 178 cm	2 3/4" 7 cm
ABF4260	42" 107 cm	60" 152 cm	21" 53 cm	30" 76 cm	39 3/4" 101 cm	58" 147 cm	2 3/4" 7 cm

*Tolerance on dimensions: ± 1/4" 6 mm