

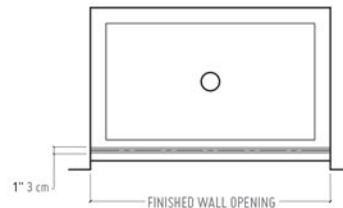
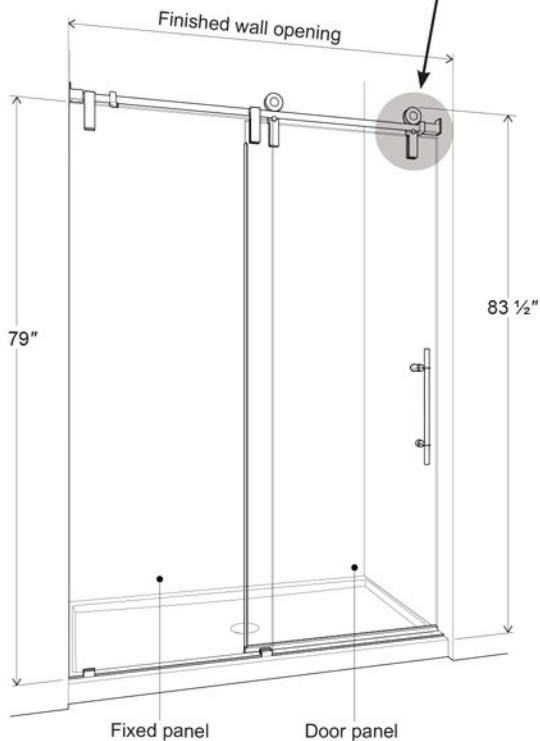
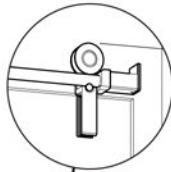
IN-LINE DOOR AND PANEL (ONE SIDED)

OPENINGS AND GLASS DIMENSIONS • STANDARD HANDLE MODELS

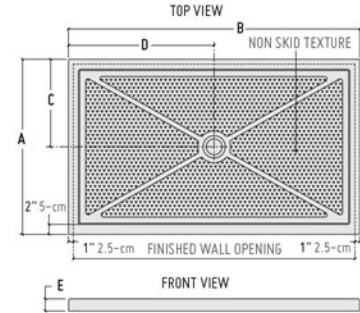
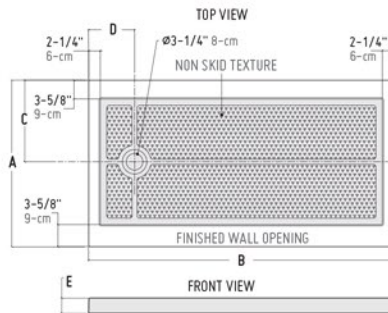
MODEL	FINISHED WALL OPENING	APPROX. ENTRY OPENING	DOOR	FIXED PANEL
Minimum clearances required for glass panels sitting on a base threshold: 1/2" from the center of the glass panel to BOTH the exterior and interior				
KS46	46" to 47"	18" to 19"	24 1/2" x 78 13/16"	23" x 79"
KS52	52" to 54"	20 1/2" to 22 1/2"	29 1/2" x 78 13/16"	26" x 79"
KS53	53" to 55"	21" to 23"		27" x 79"
KS55	55" to 57"	21" to 23"	31 1/2" x 78 13/16"	29" x 79"
KS57	57" to 59"	23" to 25"		29" x 79"
KS59	59" to 61"	23" to 25"	31 1/2" x 78 13/16"	31" x 79"
KS61	61" to 63"	25" to 27"	33 1/2" x 78 13/16"	31" x 79"
KS63	63" to 65"	25" to 27"	33 1/2" x 78 13/16"	33" x 79"
KS65	65" to 67"	27" to 29"	35 1/2" x 78 13/16"	33" x 79"
KS67	67" to 69"	27" to 29"	35 1/2" x 78 13/16"	35" x 79"
KS69	69" to 71"	29" to 31"	37 1/2" x 78 13/16"	35" x 79"

new

Wall-Mount Bracket and Stopper



Minimum clearances required for glass panels sitting on a base threshold: 1/2" from the center of the glass panel to BOTH the exterior and interior sides



*** BASE DIMENSIONS**

BASES	A	B	C	D	E
ABF3260**	32" 81-cm	60" 152-cm	16" 41-cm	9" 23-cm	3" 8-cm
ABF3648	36" 91-cm	48" 122-cm	18" 46-cm	24" 61-cm	2-3/4" 7-cm
ABF3660	36" 91-cm	60" 152-cm	18" 46-cm	30" 76-cm	2-3/4" 7-cm
ABF4260	42" 107-cm	60" 152-cm	21" 53-cm	30" 76-cm	2-3/4" 7-cm
ABF4860	48" 122-cm	60" 152-cm	24" 61-cm	30" 76-cm	2-3/4" 7-cm
ABF3672	36" 91-cm	72" 183-cm	18" 46-cm	36" 91-cm	2-3/4" 7-cm

*Tolerance on dimensions: ± 1/4" 6-mm • **Side drain model base, available for In-line models only