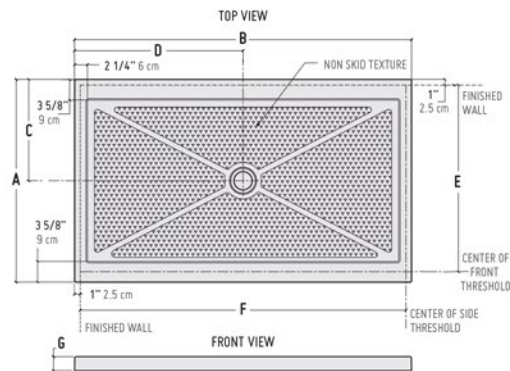
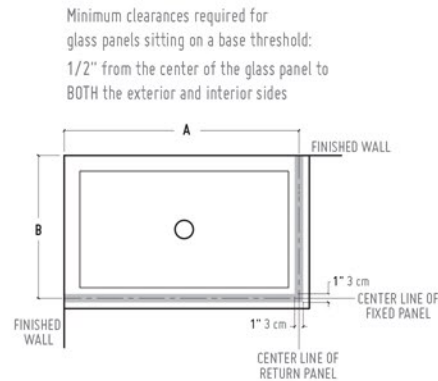
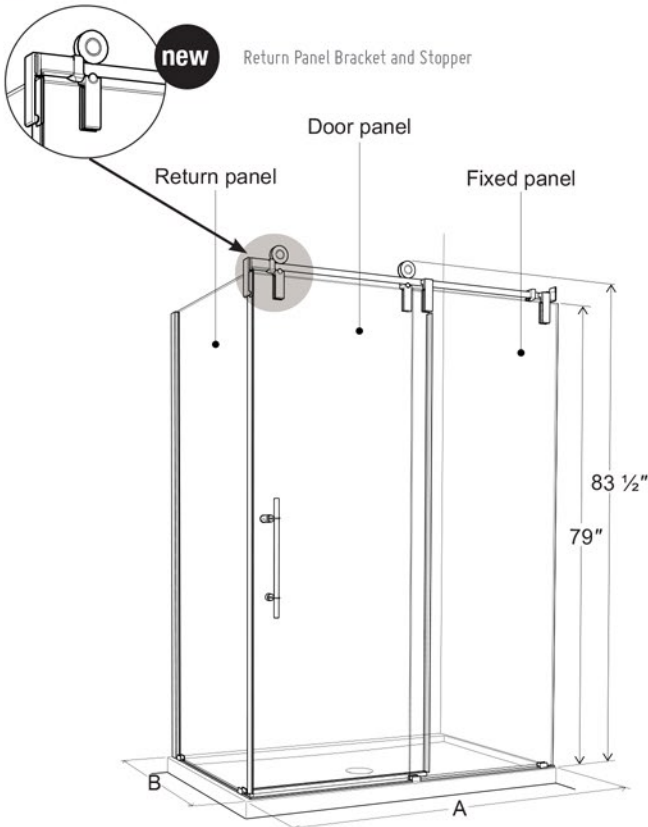


IN-LINE DOOR AND PANEL WITH RETURN PANEL (TWO SIDED)

OPENINGS AND GLASS DIMENSIONS • STANDARD HANDLE MODELS

MODEL	A = FINISHED WALL TO CENTER OF RETURN PANEL	B = FINISHED WALL TO CENTER OF FRONT FIXED PANEL	APPROX. ENTRY OPENING	DOOR	FIXED PANEL	RETURN PANEL
Minimum clearances required for glass panels sitting on a base threshold: 1/2" from the center of the glass panel to BOTH the exterior and interior sides						
KSPR4536	45 7/8" to 46 3/8"	33 7/8" to 34 1/2"	18" to 19"	24 1/2" x 78 13/16"	23" x 79"	32 7/8" x 79"
KSPR5236	52 3/8" to 54 3/8"		20 1/2" to 22 1/2"	29 1/2" x 78 13/16"	26" x 79"	
KSPR5336	53 3/8" to 55 3/8"		21" to 23"	29 1/2" x 78 13/16"	27" x 79"	
KSPR5536	55 3/8" to 57 3/8"		21" to 23"	29 1/2" x 78 13/16"	29" x 79"	
KSPR5736	57 3/8" to 59 3/8"		23" to 25"	31 1/2" x 78 13/16"	29" x 79"	
KSPR5936	59 3/8" to 61 3/8"		23" to 25"	31 1/2" x 78 13/16"	31" x 79"	
KSPR6136	61 3/8" to 63 3/8"		25" to 27"	33 1/2" x 78 13/16"	31" x 79"	
KSPR6336	63 3/8" to 65 3/8"		25" to 27"	33 1/2" x 78 13/16"	33" x 79"	
KSPR6536	65 3/8" to 67 3/8"		27" to 29"	35 1/2" x 78 13/16"	33" x 79"	
KSPR6736	67 3/8" to 69 3/8"		27" to 29"	35 1/2" x 78 13/16"	35" x 79"	
KSPR6936	69 3/8" to 71 3/8"		29" to 31"	37 1/2" x 78 13/16"	35" x 79"	



* BASE DIMENSIONS

BASE	A	B	C	D	E	F	G
ABF3648	36" 91 cm	48" 122 cm	18" 46 cm	24" 61 cm	33 1/4" 84 cm	46" 117 cm	2 3/4" 7 cm
ABF3660	36" 91 cm	60" 152 cm	18" 46 cm	30" 76 cm	33 1/4" 84 cm	58" 147 cm	2 3/4" 7 cm
ABF3672	36" 91 cm	72" 183 cm	18" 46 cm	36" 91 cm	33 1/4" 84 cm	70" 178 cm	2 3/4" 7 cm

*Tolerance on dimensions: ± 1/4" 6 mm